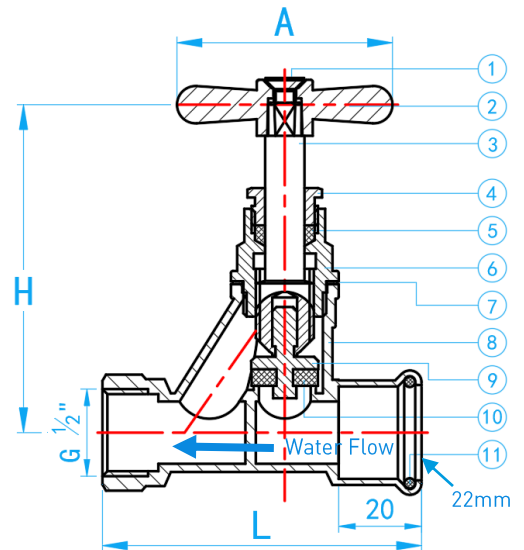
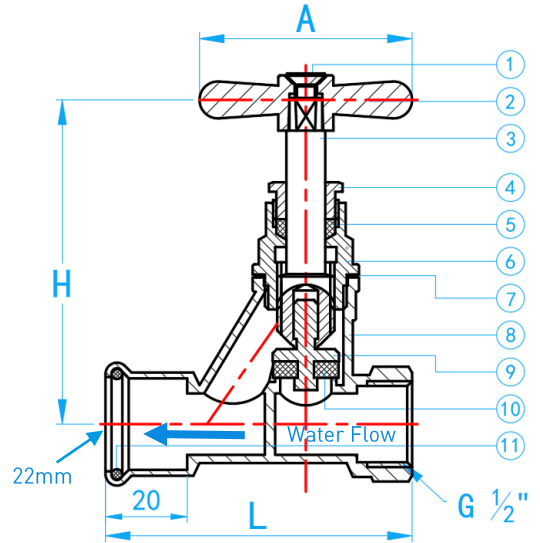


# BRASS CR STOPCOCK PFXFI END

COMPLY WITH SS75-2:1978  
BS EN 1254-1:1998



CROSS SECTIONAL VIEW

COMPONENT PARTS

ITEM	PARTS	MATERIAL
1	Screw	Brass Or AISI304
2	Handle	DZR Brass
3	Spindle	DZR Brass
4	Gland Nut	DZR Brass
5	Gland Packing	Teflon
6	Head	DZR Brass
7	Gasket	PTFE
8	Body	DZR Brass
9	Washer Plate	DZR Brass
10	Washer	EPDM
11	O-ring	EPDM

STANDARD SPECIFICATIONS

Working Pressure	200 Psi
Applicable Medium	Water

DIMENSIONS

SKU	Size	A (mm)	H (mm)	L(mm)	WEIGHT (kg)	PCS/CTN
SCCRPFN02015S	22mm×1/2" BSP	52	85.6	75	0.540	1